

TNE SERIES

ORDER CODE

TNE-1A-12-10-L

□: 0.54W
L: 0.25W


10: 10A

COIL VOLTAGE

03: DC 3V
05: DC 5V
06: DC 6V
09: DC 9V
12: DC 12V
24: DC 24V
48: DC 48V

1A: 1a

TYPE



Main Features:

- UL & TUV safety approval.
- Contact: 1 form A.
- Small size (24.4 × 10.4 × 25.0).
- The most suitable for TV and audio, etc.

COIL RATING (at 20°C)

NOMINAL VOLTAGE (VDC)	COIL RESISTANCE (Ω)(±10%)	POWER CONSUMPT -ION(W)	NOMINAL CURRENT (mA)(±10%)	PULL IN VOLTAGE (VDC)	DROP OUT VOLTAGE (VDC)	MAX. ALLOWABLE VOLTAGE (VDC)
3V	17Ω	0.54W	176.4mA	80% MAX.	5% MIN.	120%
5V	50Ω		100.0mA			
6V	68Ω		88.2mA			
9V	155Ω		58.1mA			
12V	270Ω		44.4mA			
24V	1100Ω		21.8mA			
48V	4400Ω		10.9mA			

	NOMINAL VOLTAGE (VDC)	COIL RESISTANCE (Ω)(±10%)	POWER CONSUMPT -ION(W)	NOMINAL CURRENT (mA)(±10%)	PULL IN VOLTAGE (VDC)	DROP OUT VOLTAGE (VDC)	MAX. ALLOWABLE VOLTAGE (VDC)
L	3V	36Ω	0.25W	83.3mA	80% MAX.	5% MIN.	120%
	5V	100Ω		50.0mA			
	6V	144Ω		41.7mA			
	9V	324Ω		27.8mA			
	12V	576Ω		20.8mA			
	24V	2304Ω		10.4mA			
	48V	9216Ω		5.2mA			

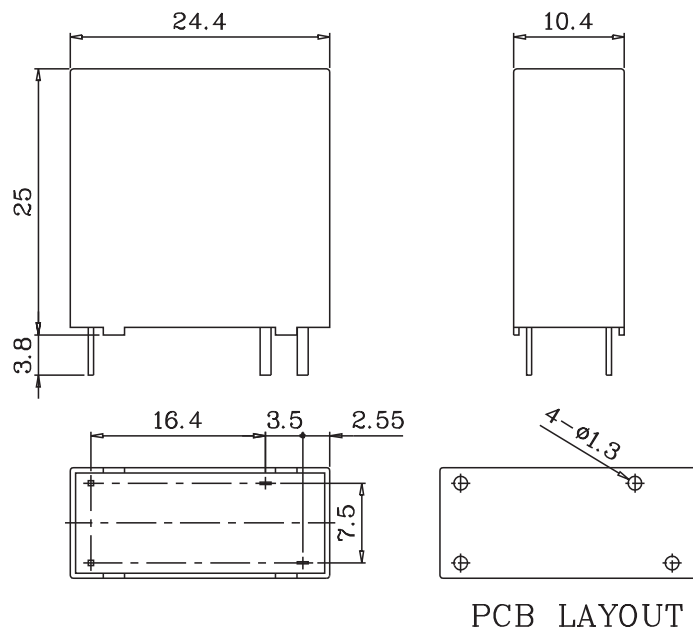
PERFORMANCE (at initial value)

Item	Type	10A
Contact Resistance		100mΩ Max.(initial value)
Operate Time		15msec Max.
Release Time		8msec Max.
Dielectric Strength between coil & contact between contact		AC4000V (1min) AC1000V (1min)
Insulation Resistance		100MΩ Min.(DC500V)
Operating Ambient Temperature		-30°C ~ +70°C
Humidity		35 to 85% RH
Vibration Resistance		10G (10~55Hz)(Dual amplitude:1.5mm)
Shock Resistance		10G
Life Expectancy Mechanically Electrically		10,000,000 ops. Min.(1800 ops./h) 100,000 ops. Min. at TV-5 AC120V
Weight		11g(about)

CONTACT RATING

Item \ Type	10A
Rated Carrying Current	AC250V 10A DC30V 10A
Max. Allowable Current	10A
Max. Allowable Voltage	AC 250V DC 110V
Max. Current (continual)	10A
Max. Allowable Power	2500VA,300W
Contact Material	Ag alloy

DIMENSIONS(Unit: mm)



WIRING DIAGRAMS(Bottom View)

1a

