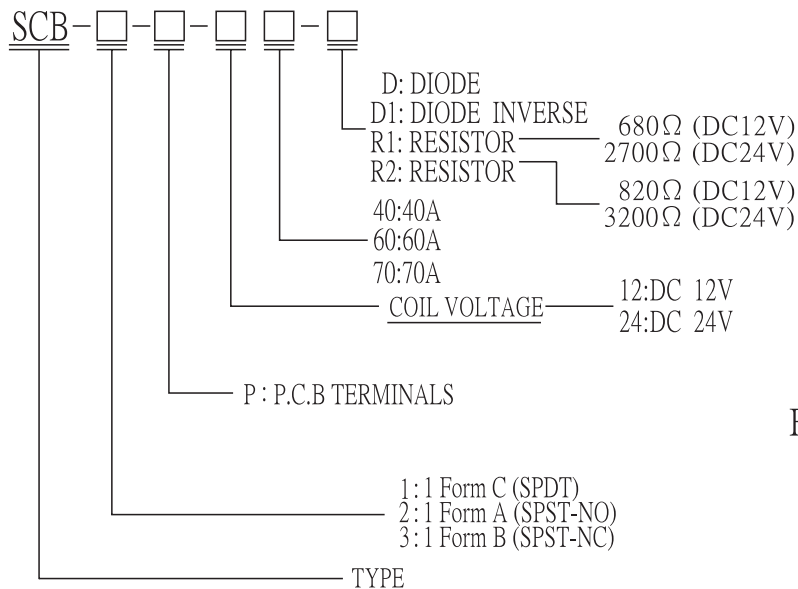


SCB_(P) SERIES

ORDERING INFORMATION



FEATURES:

- Contact rating 40 amps, 60 amps and 70 amps.
- Operating temperature 125°C.
- PCB terminal available.
- Epoxy seal type.
- RoHS compliant.

COIL RATING(at 20°C)

40A / 60A	NOMINAL VOLTAGE (VDC)	COIL RESISTANCE (Ω)(±10%)	POWER CONSUMPT -INO (W)	NOMINAL CURRENT (mA)(± 10%)	PULL IN VOLTAGE (VDC)	DROP OUT VOLTAGE (VDC)	MAX. ALLOWABLE VOLTAGE (VDC)
	DC12V	90Ω	1.6W	133.3mA	65% MAX.	10% MIN.	130%
DC24V	320Ω	1.8W	75mA				

70A	NOMINAL VOLTAGE (VDC)	COIL RESISTANCE (Ω)(±10%)	POWER CONSUMPT -INO (W)	NOMINAL CURRENT (mA)(± 10%)	PULL IN VOLTAGE (VDC)	DROP OUT VOLTAGE (VDC)	MAX. ALLOWABLE VOLTAGE (VDC)
	DC12V	90Ω	1.6W	133.3mA	65% MAX.	10% MIN.	130%
DC24V	320Ω	1.8W	75mA	70% MAX.			

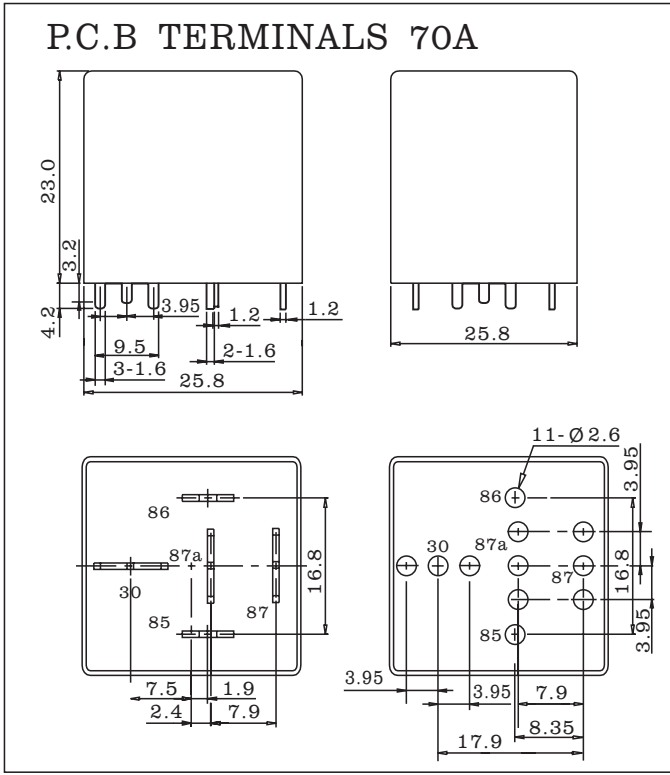
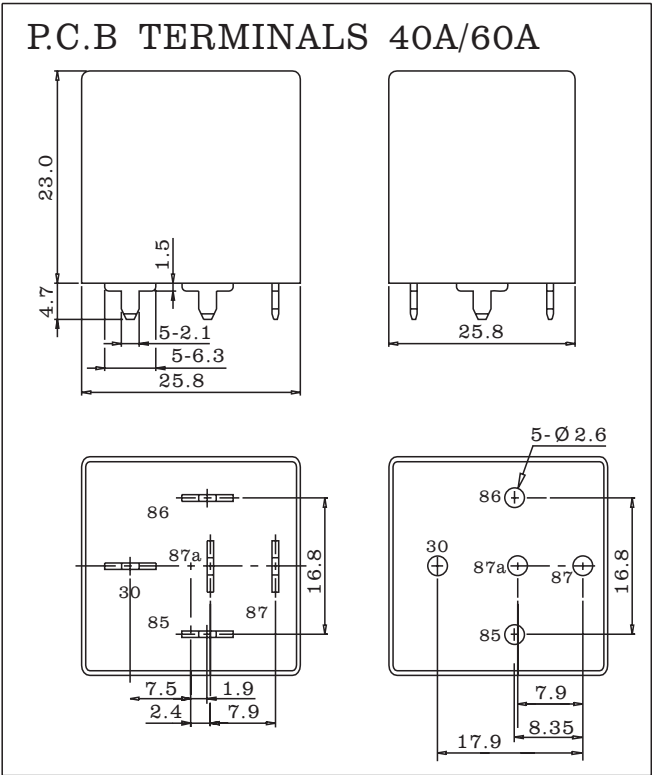
PERFORMANCE(at initial value)

Type	40A	60A	70A
Contact Resistance	50mΩ Max. (Initial value)		
Operate Time	15msec Max.		
Release Time	15msec Max.		
Dielectric Strength between coil & contact between contact	AC1000V (1min) AC500V (1min)		
Insulation Resistance	50MΩ Min.(DC500V)		
Operating Ambient Temperature	-40°C ~ +125°C		
Humidity	35 to 85% RH		
Vibration Resistance	10G (10~55Hz)(Dual amplitude 2mm)		
Shock Resistance	10G		
Life Expectancy Mechanically Electrically	1,000,000 ops. Min.(300 ops./h) 100,000 ops. Min.(900 ops./h)		
Weight	35g(approx.)		

CONTACT RATING

Item \ Type	40A	60A	70A
Rated Carrying Current	NO:DC14V 40A(1 Form A) NO:DC14V 40A NC:DC14V 30A NO:DC27V 20A NC:DC27V 10A	NO:DC14V 60A(1 Form A) NO:DC14V 50A NC:DC14V 30A NO:DC27V 30A NC:DC27V 10A	NO:DC14V 70A(1 Form A) NO:DC14V 70A NC:DC14V 60A NO:DC27V 40A NC:DC27V 30A
Max. Allowable Current	50A	60A	80A
Max. Allowable Voltage	32V	32V	32V
Max. Current (continual)	50A	60A	80A
Contact Material	Ag alloy		

DIMENSIONS(Unit:mm)



WIRING DIAGRAMS(Bottom View)

