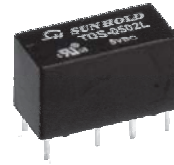
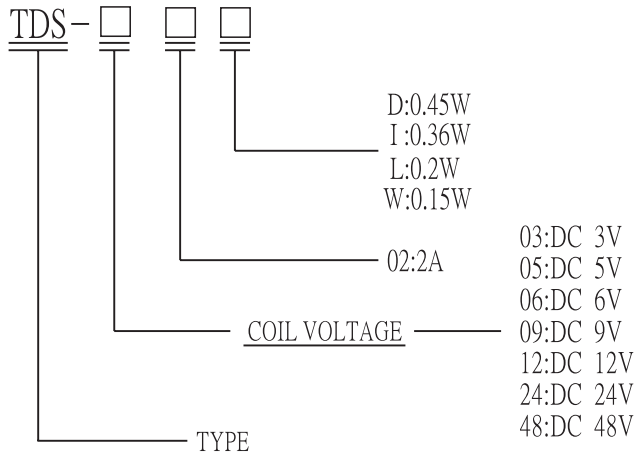


TDS SERIES

ORDERING INFORMATION



FEATURES:

- 2 pole Relay suitable for single circuit.
- Plastic epoxy resin sealed type for washing procedure.
- Small size and lightweight can provide high density PCB mounting.
- DIL pitch terminal.
- RoHS 2011/65/EU compliant

COIL RATING(at 20°C)

	NOMINAL VOLTAGE (VDC)	COIL RESISTANCE (Ω)(±10%)	POWER CONSUMPT -ION(W)	NOMINAL CURRENT (mA)(±10%)	PULL IN VOLTAGE (VDC)	DROP OUT VOLTAGE (VDC)	MAX. ALLOWABLE VOLTAGE (VDC)
D	3V	20Ω	0.45W	150.0mA	75% MAX.	10% MIN.	150%
	5V	56Ω		89.2mA			
	6V	80Ω		75.0mA			
	9V	180Ω		50.0mA			
	12V	320Ω		37.5mA			
	24V	1280Ω		18.8mA			
	48V	4500Ω	0.51W	12.0mA			

	NOMINAL VOLTAGE (VDC)	COIL RESISTANCE (Ω)(±10%)	POWER CONSUMPT -ION(W)	NOMINAL CURRENT (mA)(±10%)	PULL IN VOLTAGE (VDC)	DROP OUT VOLTAGE (VDC)	MAX. ALLOWABLE VOLTAGE (VDC)
I	3V	25Ω	0.36W	120.0mA	75% MAX.	10% MIN.	150%
	5V	70Ω		71.4mA			
	6V	100Ω		60.0mA			
	9V	220Ω		40.9mA			
	12V	400Ω		30.0mA			
	24V	1600Ω		15.0mA			

	NOMINAL VOLTAGE (VDC)	COIL RESISTANCE (Ω)(±10%)	POWER CONSUMPT -ION(W)	NOMINAL CURRENT (mA)(±10%)	PULL IN VOLTAGE (VDC)	DROP OUT VOLTAGE (VDC)	MAX. ALLOWABLE VOLTAGE (VDC)
L	3V	45Ω	0.2W	66.7mA	75% MAX.	10% MIN.	150%
	5V	125Ω		40.0mA			
	6V	180Ω		33.3mA			
	9V	405Ω		22.2mA			
	12V	720Ω		16.7mA			
	24V	2800Ω		8.6mA			

	NOMINAL VOLTAGE (VDC)	COIL RESISTANCE (Ω)(±10%)	POWER CONSUMPT -ION(W)	NOMINAL CURRENT (mA)(±10%)	PULL IN VOLTAGE (VDC)	DROP OUT VOLTAGE (VDC)	MAX. ALLOWABLE VOLTAGE (VDC)
W	3V	60Ω	0.15W	50.0mA	75% MAX.	10% MIN.	150%
	5V	167Ω		29.9mA			
	6V	240Ω		25.0mA			
	9V	540Ω		16.7mA			
	12V	960Ω		12.5mA			
	24V	3840Ω		6.3mA			

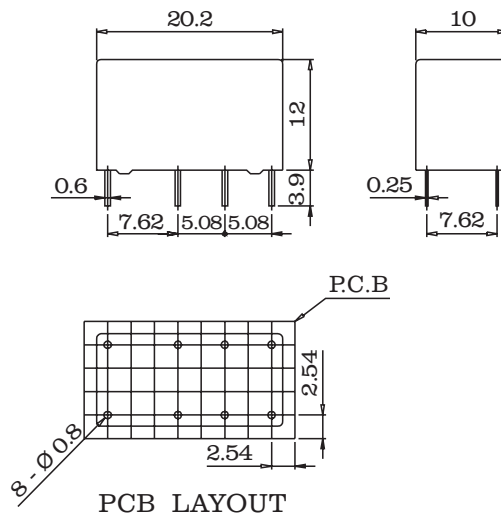
CONTACT RATING

Item	Type	2A
Rated Carrying Current		DC30V 2A AC125V 1A
Max. Allowable Current		2A
Max. Switching Voltage		AC 250V DC 125V
Max Current (continual)		2A
Contact Material		Ag alloy

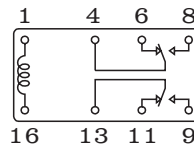
PERFORMANCE (at initial value)

Item	Type	2A
Contact Resistance		100mΩ Max. (Initial value)
Operate Time		6msec Max.
Release Time		4msec Max.
Dielectric Strength between coil & contact between contact		AC1000V (1min) AC500V (1min)
Insulation Resistance		100MΩ Min.(DC500V)
Operating Ambient Temperature		-40°C ~+80°C
Humidity		35 to 85%RH
Vibration Resistance		10G (10~55Hz)(Dual amplitude:1.5mm)
Shock Resistance		10G
Life Expectancy Mechanically Electrically		10,000,000 ops. Min.(1800 ops./h) 100,000 ops. Min. (1200 ops./ h)
Weight		5g(approx.)

DIMENSIONS(Unit:mm)



WIRING DIAGRAMS(Bottom View)



REFERENCE DATA

