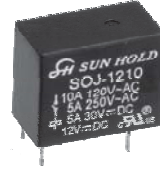
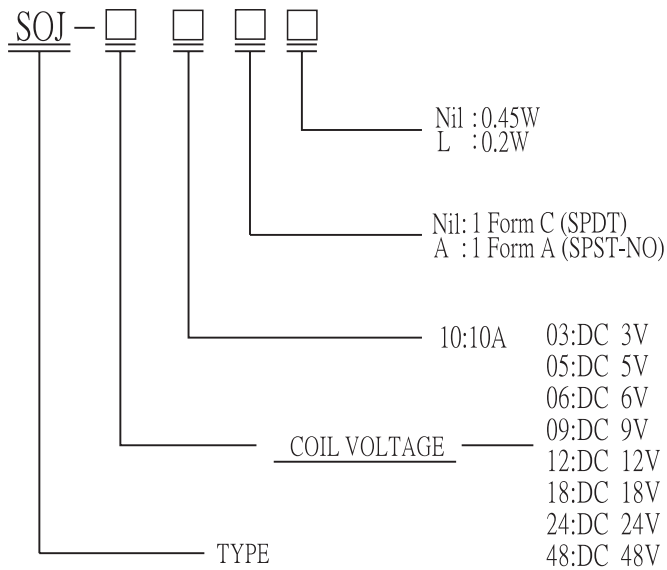


SOJ SERIES

ORDERING INFORMATION



FEATURES:

- 1 form A and 1 form C contact.
- Small size produces a switching capacity up to 10amps for high density PCB mounting technique.
- Surge strength 3,000 VAC.
- Special design for household appliances flux free and sealed type available.

COIL RATING(at 20°C)

NOMINAL VOLTAGE (VDC)	COIL RESISTANCE (Ω)(±10%)	POWER CONSUMPT -ION(W)	NOMINAL CURRENT (mA)(±10%)	PULL IN VOLTAGE (VDC)	DROP OUT VOLTAGE (VDC)	MAX. ALLOWABLE VOLTAGE (VDC)
3V	20 Ω	0.45W	150.0mA	75% MAX.	5% MIN.	120%
5V	55 Ω		90.9mA			
6V	80 Ω		75.0mA			
9V	180 Ω		50.0mA			
12V	320 Ω		37.5mA			
18V	720 Ω		25.0mA			
24V	1280 Ω		18.8mA			
48V	5100 Ω		9.4mA			

L	NOMINAL VOLTAGE (VDC)	COIL RESISTANCE (Ω)(±10%)	POWER CONSUMPT -ION(W)	NOMINAL CURRENT (mA)(±10%)	PULL IN VOLTAGE (VDC)	DROP OUT VOLTAGE (VDC)	MAX. ALLOWABLE VOLTAGE (VDC)
L	3V	45 Ω	0.2W	66.7mA	75% MAX.	5% MIN.	120%
	5V	125 Ω		40.0mA			
	6V	180 Ω		33.3mA			
	9V	400 Ω		22.5mA			
	12V	720 Ω		16.7mA			
	24V	2800 Ω		8.6mA			

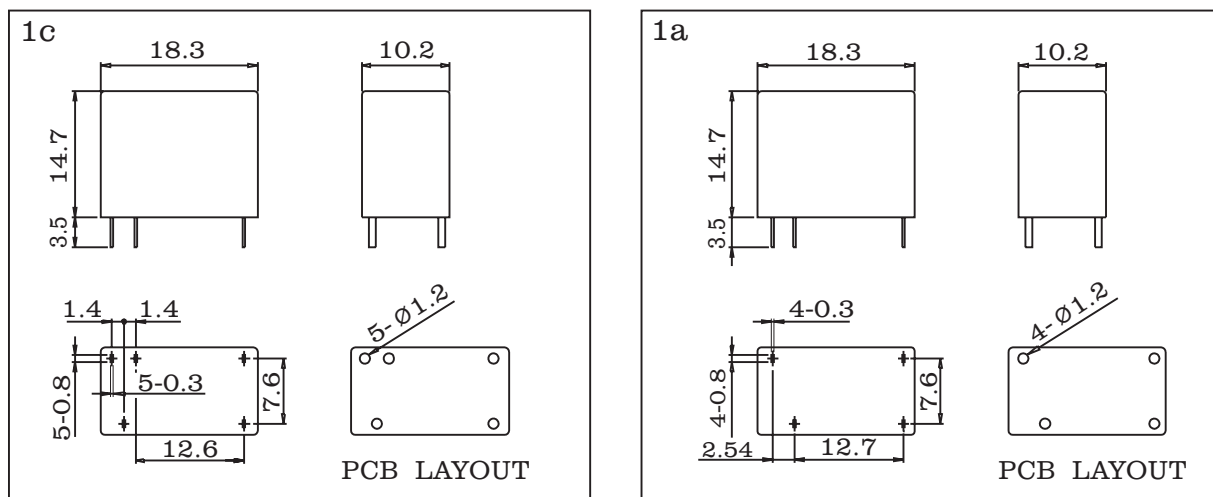
PERFORMANCE(at initial value)

Item	Type	10A
Contact Resistance		100mΩ Max.(initial value)
Operate Time		10msec Max.
Release Time		4msec Max.
Dielectric Strength between coil & contact		AC3000V (1min)
Dielectric Strength between contact		AC1000V (1min)
Surge Resistiveness		5,000V
Insulation Resistance		100MΩ Min.(DC500V)
Operating Ambient Temperature		-30°C ~ +55°C
Humidity		45 to 85% RH
Vibration Resistance		10G (10~55Hz)(Dual amplitude:1.5mm)
Shock Resistance		10G
Life Expectancy Mechanically		10,000,000 ops. Min.(1800 ops./h)
Life Expectancy Electrically		100,000 ops. Min. (1200 ops./h)
Weight		6g(approx.)

CONTACT RATING

Item \ Type	10A
Rated Carrying Current	AC250V 5A AC120V 10A DC 30V 5A
Max. Allowable Current	10A
Max. Allowable Voltage	AC 277V DC 30V
Max. Current(continual)	10A
Min. Load	DC5V 10mA
Contact Material	Ag alloy

DIMENSIONS(Unit:mm)



WIRING DIAGRAMS(Bottom View)



REFERENCE DATA

