

RSV_(M) SERIES

ORDER CODE
RSV-1C-M-12-H-D

D: DIODE
 D1: DIODE INVERSE
 R1: RESISTOR 680Ω(DC12V)
 R2: RESISTOR 2700Ω(DC24V)
 820Ω(DC12V)
 3200Ω(DC24V)


H: 40A
 L: 80A

COIL VOLTAGE 12: DC12V
 24: DC24V

□: QUICK CONNECT TERMINALS
 M: QUICK CONNECT TERMINALS (BRACKET COVER)
 MM: QUICK CONNECT TERMINALS (STEEL BRACKET)

1C: 1c
 1A: 1a
 1B: 1b
 2AU: 2au
 2A: 2a

TYPE



Main Features:

- Optional mounting bracket with plastic & steel.
- Contact rating 40amps, 70amps.
- Standard type contact form SPDT and DPST are all available.
- Standardized design for plug-in connects terminals.

COIL RATING (at 20°C)

RATED VOLTAGE (V)	COIL RESISTANCE (Ω) (±10%)	RATED POWER (W)	NOMINAL CURRENT (mA)(±10%)	PULL IN VOLTAGE (V)	DROP OUT VOLTAGE (V)
DC12V	90Ω	1.6W	133.3mA	7.8V	1.2V
DC24V	360Ω	1.6W	66.7mA	17.0V	2.4V

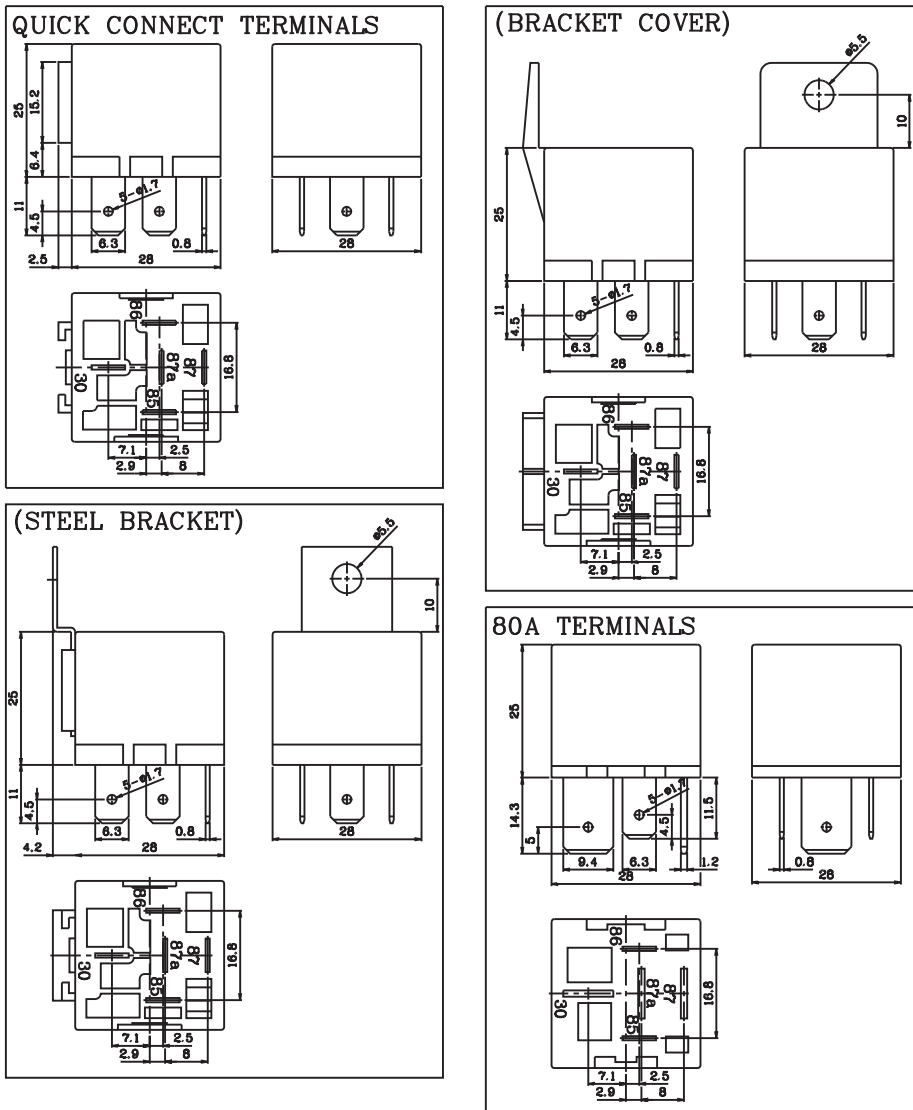
PERFORMANCE (at initial value)

Item	Type	40A	80A
	Contact Resistance		50mΩ Max. (initial value)
Operate Time		10msec Max.	
Release Time		10msec Max.	
Dielectric Strength		AC500V (1min)	
Insulation Resistance		50MΩ Min.(DC500V)	
Operating Ambient Temperature		-30°C ~ +70°C	
Humidity		35 to 85% RH	
Vibration Resistance		10~55Hz, amplitude 2mm	
Voltage Drop Between Contact Terminals		300mV(AT 10AMPS)	
Life Expectancy			
Mechanically		10,000,000 ops. Min.(18000 ops./h)	
Electrically		100,000 ops. Min.(1200 ops./h)	
Weight		40g(about)	

CONTACT RATING

Item \ Type	40A	80A
Rated Carrying Current	DC14V 40A	DC14V 80A
Max. Allowable Current	50A	80A
Max. Allowable Voltage	32V	32V
Max. Current (continual)	40A	80A
Contact Material	Ag alloy	

DIMENSIONS(Unit: mm)



WIRING DIAGRAMS(Bottom View)

