


SAR1 SERIES

ORDER CODE
SAR1-1C-12-15

15: 15A
 COIL VOLTAGE
 1C: 1c
 1A: 1a
 2C: 2c
 2A: 2a
 TYPE — SAR: Open-Frame
 SAR1: Sealed

05: DC 5V
 06: DC 6V
 09: DC 9V
 12: DC 12V
 15: DC 15V
 18: DC 18V
 24: DC 24V



Main Features
 †Open type or flux free type all available.
 †PCB terminal available.
 †Single contact and double contacts type
 • offer switching capacity by 15amps in
 • small size for exclusive automobile control
 • relay switching box use.
 †Application: Car alarm system, Automatic
 • door locking, Automatic car windows control
 • ect...

COIL RATING (at 20°C)

NOMINAL VOLTAGE (VDC)	COIL RESISTANCE (Ω)(±10%)	POWER CONSUMPT - ION(W)	NOMINAL CURRENT (mA)(±10%)	PULL IN VOLTAGE (VDC)	DROP OUT VOLTAGE (VDC)	MAX. ALLOWABLE VOLTAGE (VDC)
5V	27Ω	0.93W (about)	185mA	70% MAX.	5% MIN.	150%
6V	40Ω		150mA			
9V	97Ω		93mA			
12V	155Ω		77mA			
15V	255Ω		59mA			
18V	380Ω		47mA			
24V	660Ω		36mA			

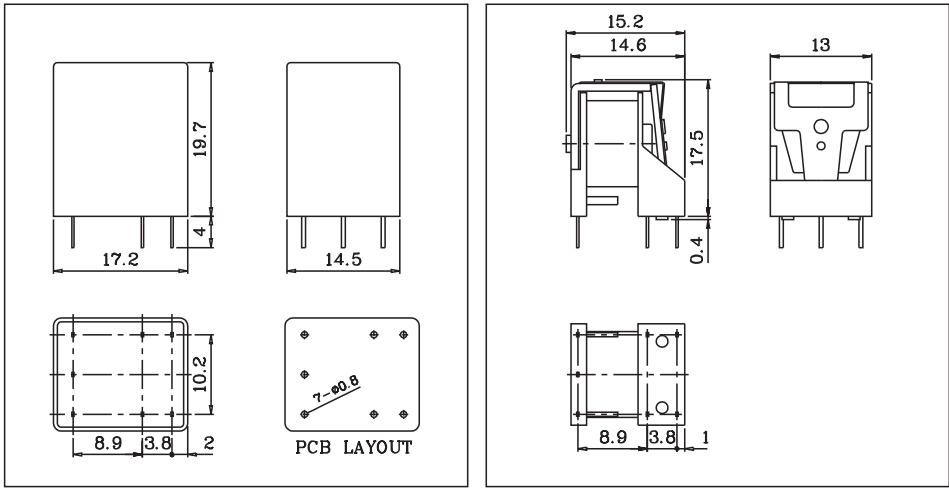
PERFORMANCE (at initial value)

Item	Type	15A (total)
Contact Resistance		100mΩ Max. (initial value)
Operate Time		10msec Max.
Release Time		5msec Max.
Dielectric Strength between coil & contact between contact		AC500V (min) AC1000V (1min)
Insulation Resistance		100MΩ Min.(DC500V)
Operating Ambient Temperature		-25°C ~ +80°C
Humidity		45 to 85% RH
Vibration Resistance		10G (10~55Hz)(Dual amplitude:1.5mm)
Shock Resistance		10G
Life Expectancy Mechanically Electrically		10,000,000 ops. Min.(1800 ops./h) 100,000 ops. Min.(1200 ops./h)
Weight		5.5g(about)

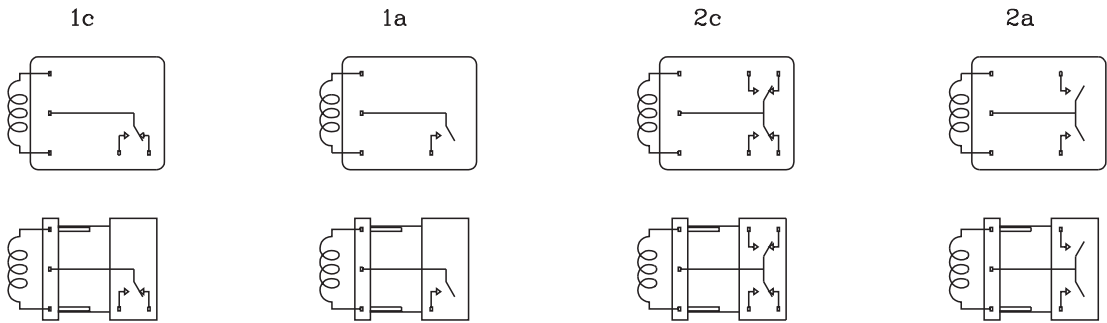
CONTACT RATING

Item	Type	15A(total)
Rated Carrying Current		AC120V 15A DC12V 15A
Max. Allowable Current		20A
Max. Allowable Voltage		AC 120V DC 28V
Max. Current (continual)		15A
Contact Material		Ag alloy

DIMENSIONS(Unit: mm)



WIRING DIAGRAMS(Bottom View)



REFERENCE DATA

