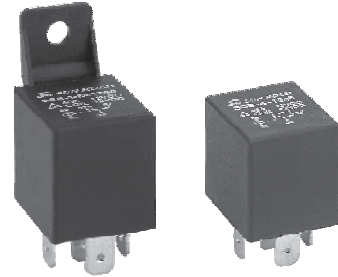
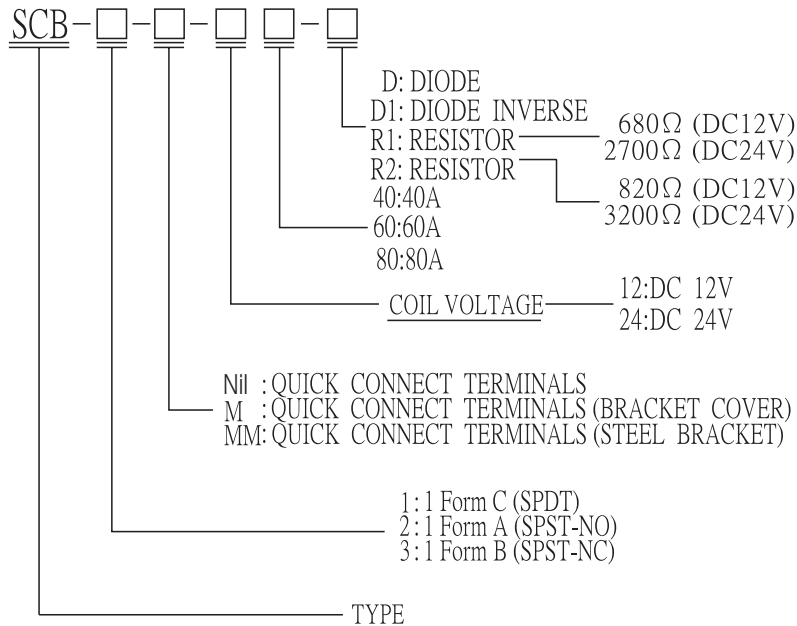


SCB_(M) SERIES

ORDERING INFORMATION



FEATURES:

- Optional mounting bracket with plastic & steel.
- Contact rating 40 amps, 60 amps and 80 amps.
- Operating temperature 125°C
- RoHS compliant

COIL RATING(at 20°C)

| 40A / 60A | NOMINAL VOLTAGE (VDC) | COIL RESISTANCE (Ω)(±10%) | POWER CONSUMPT -INO (W) | NOMINAL CURRENT (mA)(± 10%) | PULL IN VOLTAGE (VDC) | DROP OUT VOLTAGE (VDC) | MAX. ALLOWABLE VOLTAGE (VDC) |
|-----------|-----------------------|---------------------------|-------------------------|-----------------------------|-----------------------|------------------------|------------------------------|
| | DC12V | 90Ω | 1.6W | 133.3mA | 65% MAX. | 10% MIN. | 130% |
| DC24V | 320Ω | 1.8W | 75mA | | | | |

| 80A | NOMINAL VOLTAGE (VDC) | COIL RESISTANCE (Ω)(±10%) | POWER CONSUMPT -INO (W) | NOMINAL CURRENT (mA)(± 10%) | PULL IN VOLTAGE (VDC) | DROP OUT VOLTAGE (VDC) | MAX. ALLOWABLE VOLTAGE (VDC) |
|-------|-----------------------|---------------------------|-------------------------|-----------------------------|-----------------------|------------------------|------------------------------|
| | DC12V | 90Ω | 1.6W | 133.3mA | 70% MAX. | 10% MIN. | 130% |
| DC24V | 320Ω | 1.8W | 75mA | | | | |

PERFORMANCE(at initial value)

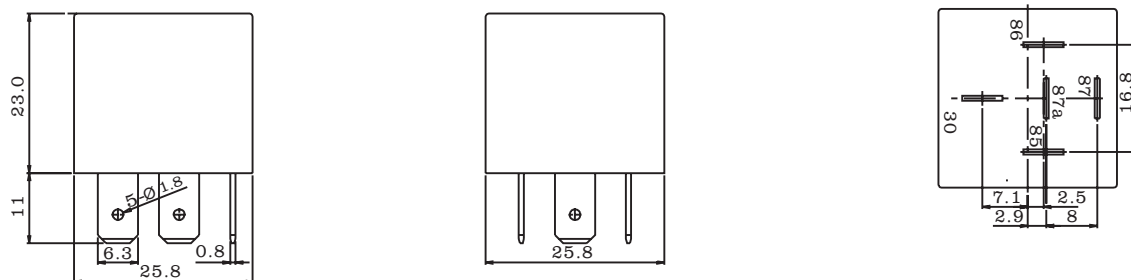
| Type | 40A | 60A | 80A |
|--|--|-----|--------------|
| Contact Resistance | 50mΩ Max. (Initial value) | | |
| Operate Time | 15msec Max. | | |
| Release Time | 15msec Max. | | |
| Dielectric Strength between coil & contact between contact | AC1000V (1min) AC500V (1min) | | |
| Insulation Resistance | 50MΩ Min.(DC500V) | | |
| Operating Ambient Temperature | -40°C ~ +125°C | | |
| Humidity | 35 to 85% RH | | |
| Vibration Resistance | 10G (10~55Hz)(Dual amplitude 2mm) | | |
| Shock Resistance | 10G | | |
| Life Expectancy Mechanically Electrically | 1,000,000 ops. Min.(300 ops./h) 100,000 ops. Min.(900 ops./h) | | |
| Weight | 35g(approx.) | | 38g(approx.) |

CONTACT RATING

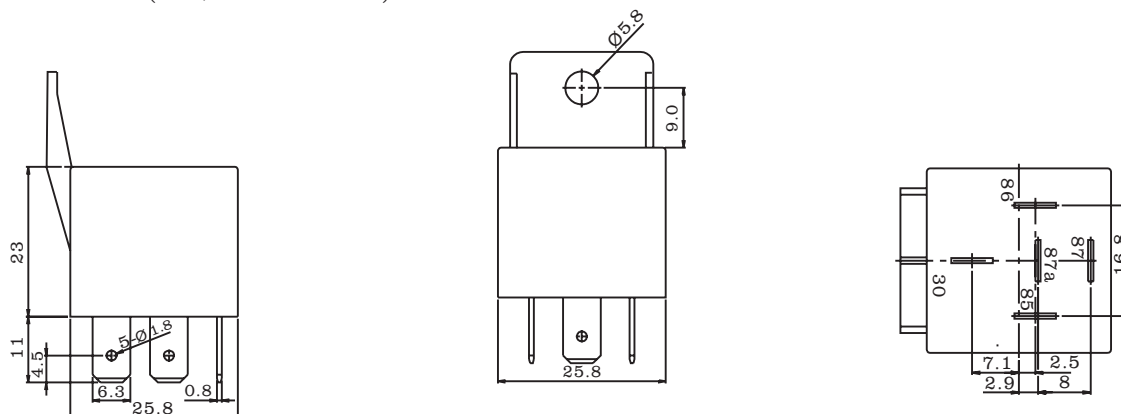
| Item \ Type | 40A | 60A | 80A |
|--------------------------|--|--|--|
| Rated Carrying Current | NO:DC14V 40A(1 Form A) NO:DC14V 40A NC:DC14V 30A NO:DC27V 20A NC:DC27V 10A | NO:DC14V 60A(1 Form A) NO:DC14V 50A NC:DC14V 30A NO:DC27V 30A NC:DC27V 10A | NO:DC14V 80A(1 Form A) NO:DC14V 80A NC:DC14V 50A NO:DC27V 40A NC:DC27V 20A |
| Max. Allowable Current | 50A | 60A | 80A |
| Max. Allowable Voltage | 32V | 32V | 32V |
| Max. Current (continual) | 50A | 60A | 80A |
| Contact Material | Ag alloy | | |

DIMENSIONS(Unit:mm)

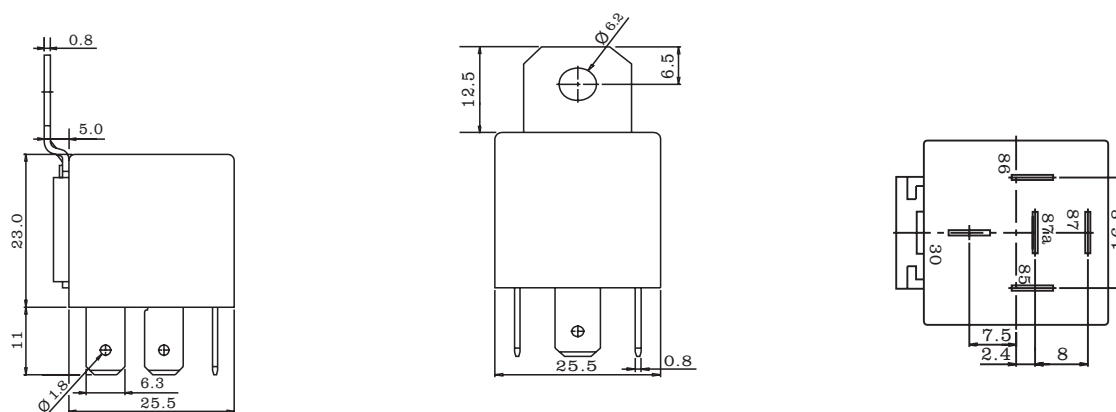
QUICK CONNECT TERMINALS(40A/60A TERMINALS)



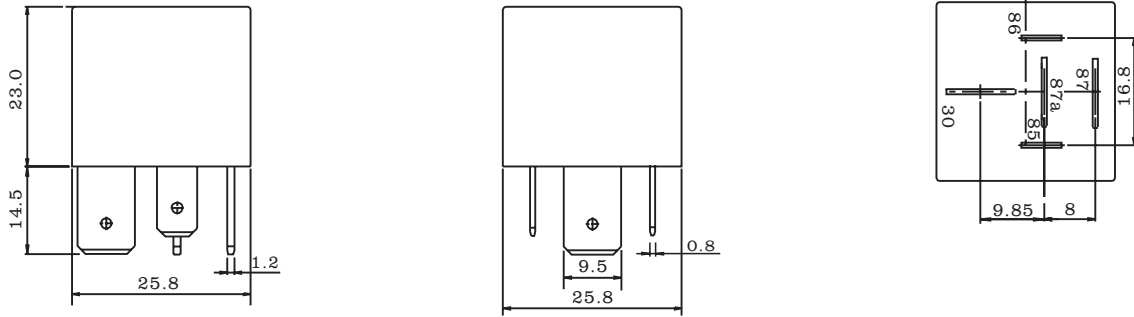
BRACKET COVER(40A/60A TERMINALS)



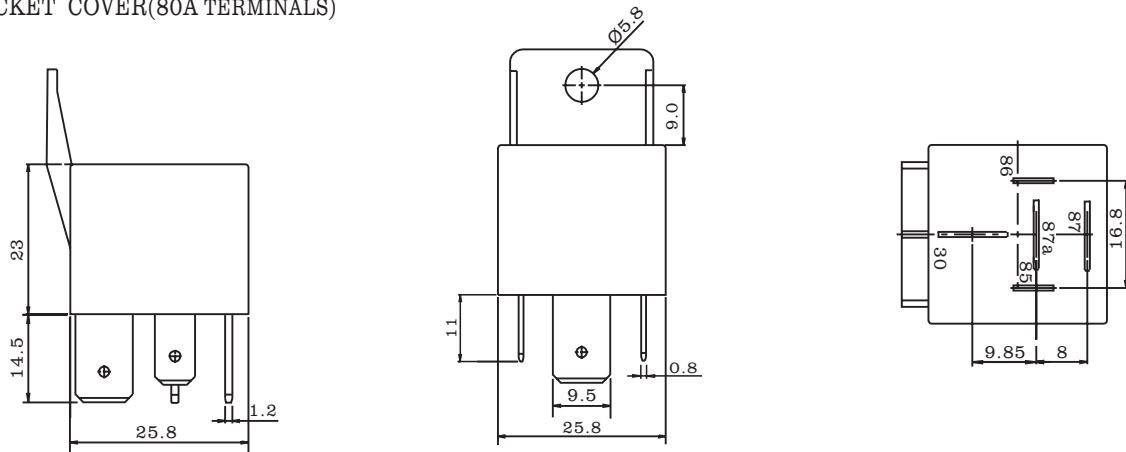
STEEL BRACKET(40A/60A TERMINALS)



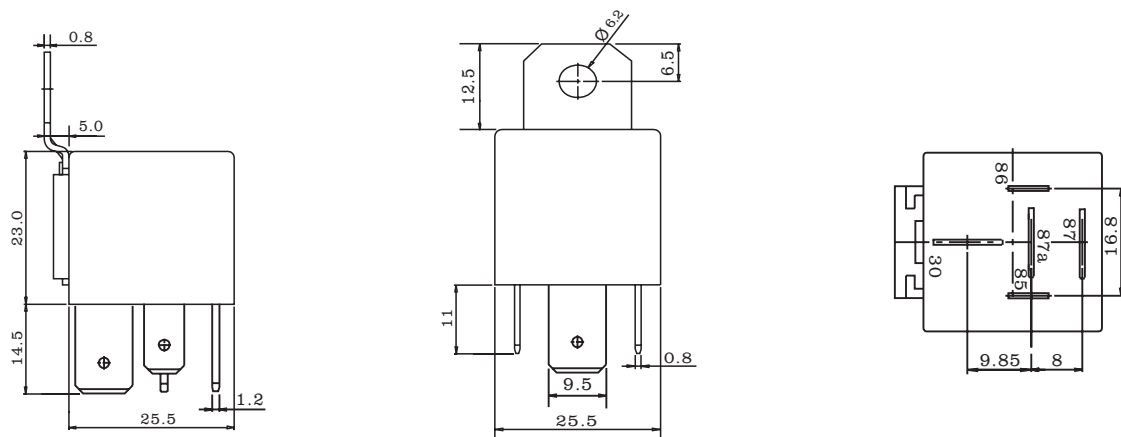
QUICK CONNECT TERMINALS(80A TERMINALS)



BRACKET COVER(80A TERMINALS)



STEEL BRACKET(80A TERMINALS)



WIRING DIAGRAMS(Bottom View)

