

# SJA SERIES

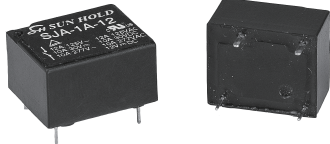
ORDER CODE  
SJA-1A-12

COIL VOLTAGE

1A:1a

TYPE

3: DC 3V  
 5: DC 5V  
 6: DC 6V  
 9: DC 9V  
 12: DC 12V  
 18: DC 18V  
 24: DC 24V



Main Features:

- Switching capacity up to 12A.
- PC board mounting.
- Flat type 10.2mm high for special low profile.
- Surge strength 2,500 VAC.

## COIL RATING (at 20°C)

NOMINAL VOLTAGE (VDC)	COIL RESISTANCE ( $\Omega$ )( $\pm 10\%$ )	POWER CONSUMPT -10N(W)	NOMINAL CURRENT (mA)( $\pm 10\%$ )	PULL IN VOLTAGE (VDC)	DROP OUT VOLTAGE (VDC)	MAX. ALLOWABLE VOLTAGE (VDC)
3V	20 $\Omega$	0.45W	150.0mA	75% MAX.	5% MIN.	110%
5V	56 $\Omega$		89.2mA			
6V	80 $\Omega$		75.0mA			
9V	180 $\Omega$		50.0mA			
12V	320 $\Omega$		37.5mA			
18V	720 $\Omega$		25.0mA			
24V	1280 $\Omega$		18.8mA			

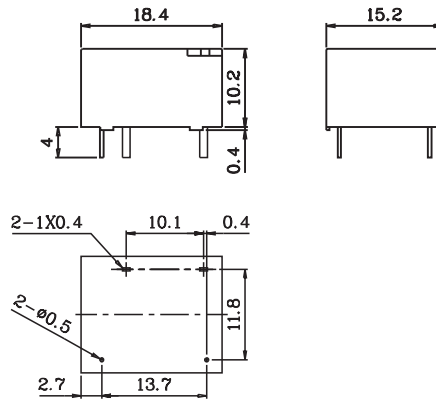
## PERFORMANCE (at initial value)

Item	Type	1a
Contact Resistance		50m $\Omega$ Max. (initial value)
Operate Time		8msec Max.
Release Time		5msec Max.
Dielectric Strength between coil & contact between contact		AC2500V (1min) AC1000V (1min)
Insulation Resistance		100M $\Omega$ Min.(DC500V)
Operating Ambient Temperature		-40°C ~ +70°C
Humidity		35 to 85% RH
Vibration Resistance		10G (10~55Hz)(Dual amplitude:1.5mm)
Shock Resistance		10G
Life Expectancy Mechanically Electrically		10,000,000 ops. Min.(1800 ops./h) 100,000 ops. Min.(1200 ops./h)
Weight		7g

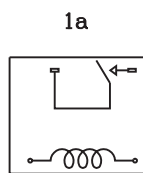
### CONTACT RATING

Item \ Type	1a
Rated Carrying Current	AC125V 12A AC277V 10A DC30V 10A
Max. Allowable Current	12A
Max. Allowable Voltage	AC300V DC30V
Max. Current(continual)	12A
Contact Material	Ag Alloy

### DIMENSIONS(Unit: mm)



### WIRING DIAGRAMS(Bottom View)



### REFERENCE DATA

